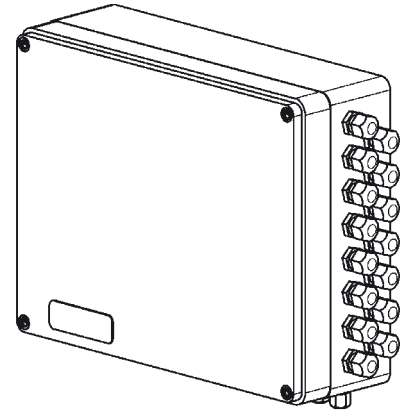


CB-WCS/15

CONTROL BOX

The CB-WCS/15 is a control box that is used in central extraction systems with extraction arms, to connect max. 15 automatic start/stop devices WCS to the mains. It is used as an interface between a welding cable sensor, an automatic damper, a frequency interter and a central fan.

The output of the automatic start/stop device WCS are being converted into an output signal which lays between 4-20 mA, to arrange the extraction volume of the central fan by means of a frequency inverter. It is also possible to set the fan's run-out periode (per individual extraction arm) and initial delay (for the entire system).





SPECIFICATIONS

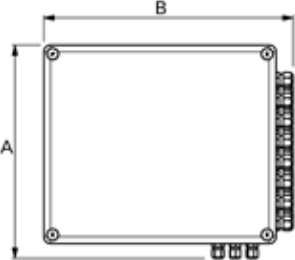
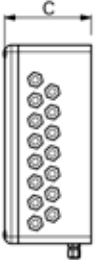
■ Physical dimensions and properties	
Material housing	ABS
Colour	grey RAL 7035
Weight (net)	3,6 kg (7.9 lbs)
■ Electrical data	
Power consumption	45 W
Insulation class	IP 66
Input voltage	24 VAC
Output voltage	24 VAC
Output signal	4-20 mA DC
Fuse	4A
■ Ambient conditions	
Operating temperature:	
• min.	• 5°C (41°F)
• nom.	• 20°C (68°F)
• max.	• 45°C (113°F)
Max. relative humidity	80%
Outdoor use allowed	no
Storage conditions	• 5-45°C (41-113°F) • relative humidity max. 80%
■ Product combinations	
WCS	welding cable sensor
PP-6	power supply
AD-200	automatic damper
FREQ 7.5/11	frequency inverter
SIF-1200/1500	central fan
■ Scope of supply	
Control box - User manual - Electric diagram	
■ Order information	
Article number	7900020550
Number/package	1

■ Shipping data	
Gross weight	4 kg (8.8 lbs)
Packing dimensions	310 x 360 x 150 mm (12.2 x 14.2 x 5.9 in.)
Harmonized Tariff Code	8537.1099.99
Country of origin	the Netherlands

APPROVALS/CERTIFICATES

	
	Directive 2011/65/EC (RoHS) valid as of 8 June 2011

DIMENSIONS

													
	<table border="1"> <thead> <tr> <th></th> <th>mm</th> <th>inch</th> </tr> </thead> <tbody> <tr> <td>A</td> <td>291</td> <td>11.46</td> </tr> <tr> <td>B</td> <td>341</td> <td>13.43</td> </tr> <tr> <td>C</td> <td>127</td> <td>5.00</td> </tr> </tbody> </table>		mm	inch	A	291	11.46	B	341	13.43	C	127	5.00
	mm	inch											
A	291	11.46											
B	341	13.43											
C	127	5.00											

Product type	CB-WCS/15
Article no.	7900020550
Product category	electrical components
Version	080212/C

Always check the latest version on www.plymovent.com.